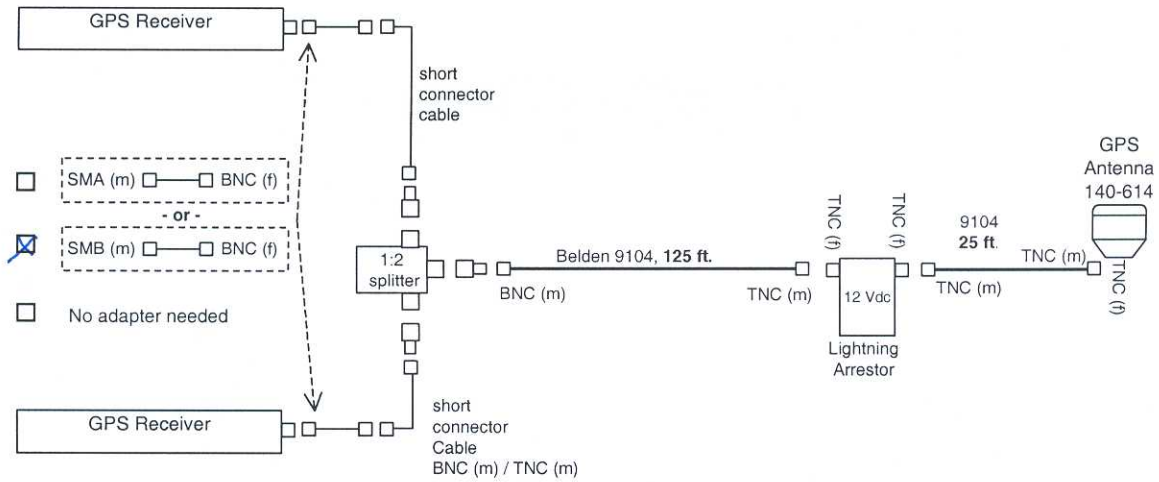


GPS Receiver Insertion Loss Test and Verification

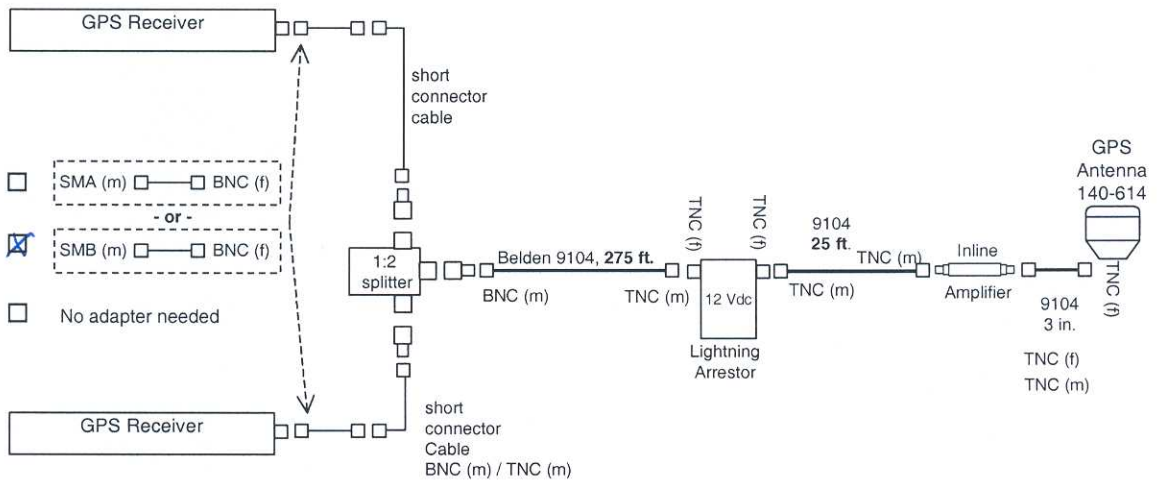
Model: TTM637VME Tech.: R. Black Pass
 Part #: TTM637VME-VCXO Date: 4-15-05 Fail

150 Foot Insertion Loss Test – 2x GPS receivers (A&B)



Satellites Locked: A B Satellites Tracked: A B Time Accurate: A B

300 Foot Insertion Loss Test – 2x GPS receivers (A&B)



Satellites Locked: A B Satellites Tracked: A B Time Accurate: A B